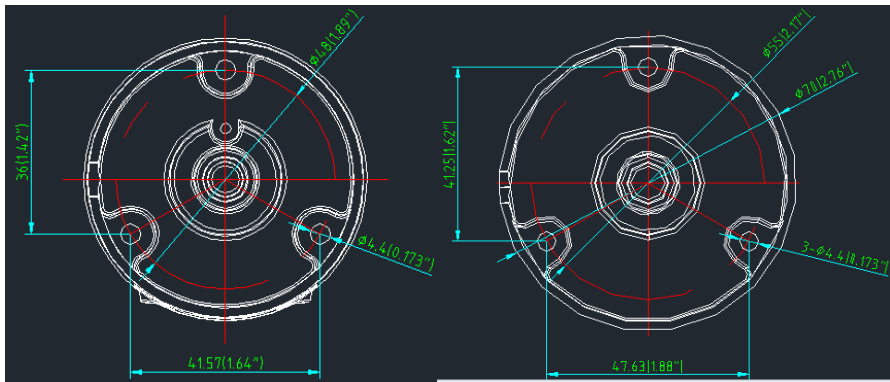
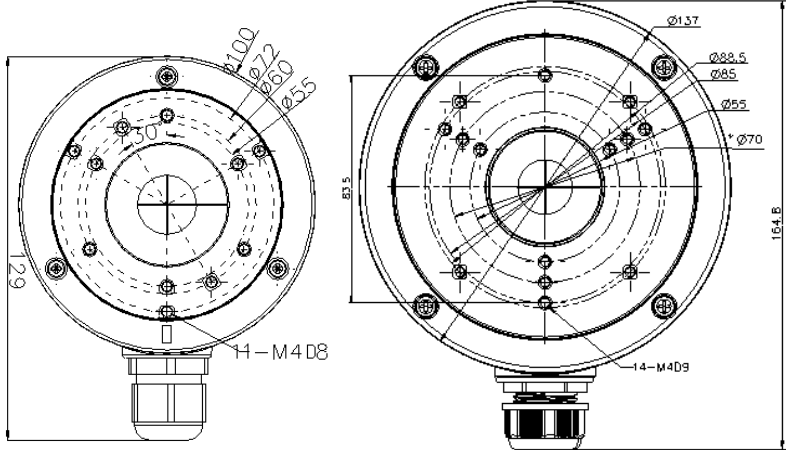



<p>Problem Name</p>	<p>DS-1280ZJ-XS & DS-1280ZJ-S are not compatible with DS-2CD20XX bullet</p>
<p>Problem Description Issue A</p>	<p>1. DS-2CD20XX, include R0/R2/R6 platform, have two kind of base structure, the difference is diameter, the diameter of old one is 48mm, the newer one is 55mm. Shown as below:</p>  <p>2. The minimum diameter supported by DS-1280ZJ-S and DS-1280ZJ-XS is 55mm, showed as below:</p>  <p>3. Base on two points above, if DS-2CD20XX with 48mm base structure can't be compatible with DS-1280ZJ-XS or DS-1280ZJ-S. DS-2CD20XX with 55mm base structure is compatible with 1280ZJ-XS and DS-1280ZJ-S, Show as below</p>  <p>48mm base structure</p> <p>55mm base structure</p> <p>4. The switch time in factory for 55mm and 48mm base structure is 9th September 2015. DS-2CD20XX produced before 9th September, the base</p>

	<p>structure is 48mm one. DS-2CD20XX produced after 9th September, the base structure is 55mm one.</p> <p>5. Conclusion: DS-2CD20XX produced before 9th September, there is no junction box now. DS-2CD20XX produced after 9th September, we can use junction box DS-1280ZJ-S or DS-1280ZJ-XS.</p>		
<p>Problem Description Issue B</p>	<p>1. DS-2CD20XX with PoE on the cable can't use the junction box DS-1280ZJ-XS, because the PoE modular is too large to hide in DS-1280ZJ-XS. Must use DS-1280ZJ-S.</p> <p>2. DS-2CD20XX without PoE on cable can use DS-1280ZJ-XS, DS-1280ZJ-S can be also used, but DS-1280ZJ-S is much larger than DS-1280ZJ-XS, so using DS-1280ZJ-XS looks better.</p> <p>3. How to judge: DS-2CD20XX which support PoE and SD card, there is PoE modular in cable. DS-2CDD20XX which doesn't support SD care, there is no PoE modular in cable.</p>		
<p>Conclusion base on Issue A & B</p>		<p>DS-1280ZJ-S</p>	<p>DS-1280ZJ-XS</p>
	<p>PoE in cable & 48mm base structure</p>	<p>X</p>	<p>X</p>
	<p>PoE in cable & 55mm base structure</p>	<p>✓</p>	<p>X</p>
	<p>PoE not in cable & 48mm base structure</p>	<p>X</p>	<p>X</p>
	<p>PoE not in cable & 55mm base structure</p>	<p>✓</p>	<p>✓(Better)</p>